

SmartGen

MAKING CONTROL SMARTER

BAC1203VE BATTERY CHARGER USER MANUAL



郑州众智科技股份有限公司
SMARTGEN(ZHENGZHOU)TECHNOLOGY CO.,LTD.

SmartGen Registered trademark

No.28 Xuemei Street, Zhengzhou, Henan, China

Tel: +86-371-67988888/67981888/67992951

+86-371-67981000(overseas)

Fax: +86-371-67992952

Email: sales@smartgen.cn

Web: www.smartgen.com.cn

www.smartgen.cn

All rights reserved. No part of this publication may be reproduced in any material form (including photocopying or storing in any medium by electronic means or other) without the written permission of the copyright holder.

SmartGen reserves the right to change the contents of this document without prior notice.

Table 1 - Software Version

Date	Version	Note
2017-11-08	1.0	Original release.
2018-04-11	1.1	Modified facial mask drawing and changed product picture.
2022-04-22	1.2	Updated the manual format, information and logo of SmartGen.
2024-01-02	1.3	Modify the figures of panel and case dimensions.

CONTENTS

1	OVERVIEW	4
2	PERFORMANCE AND CHARACTERISTICS	4
3	CHARGING PRINCIPLE	4
4	SPECIFICATION.....	5
5	OPERATION	5
6	CASE DIMENSIONS.....	7
7	APPENDIX: PACKING LIST	8

SmartGen

1 OVERVIEW

Fit with up-to-date power supply device, charger BAC1203VE is specially designed for meet the charging characteristics of the lead-acid engine starter batteries and can be used for long-term float charging of 12V lead-acid batteries with the maximum output current 3A.

2 PERFORMANCE AND CHARACTERISTICS

- Switch power supply structure, wide input voltage range, small size, light weight, and high efficiency rate;
- Automatic two-stage charging process (first constant current, then constant voltage) carried out according to storage battery charging characteristics to prevent overcharging and significantly prolong battery lifetime;
- Built-in current protective circuit for short-circuit protection;
- Suitable for 12V storage battery with the maximum charging current 3A;
- LED display: Power indication and charging indication.

3 CHARGING PRINCIPLE

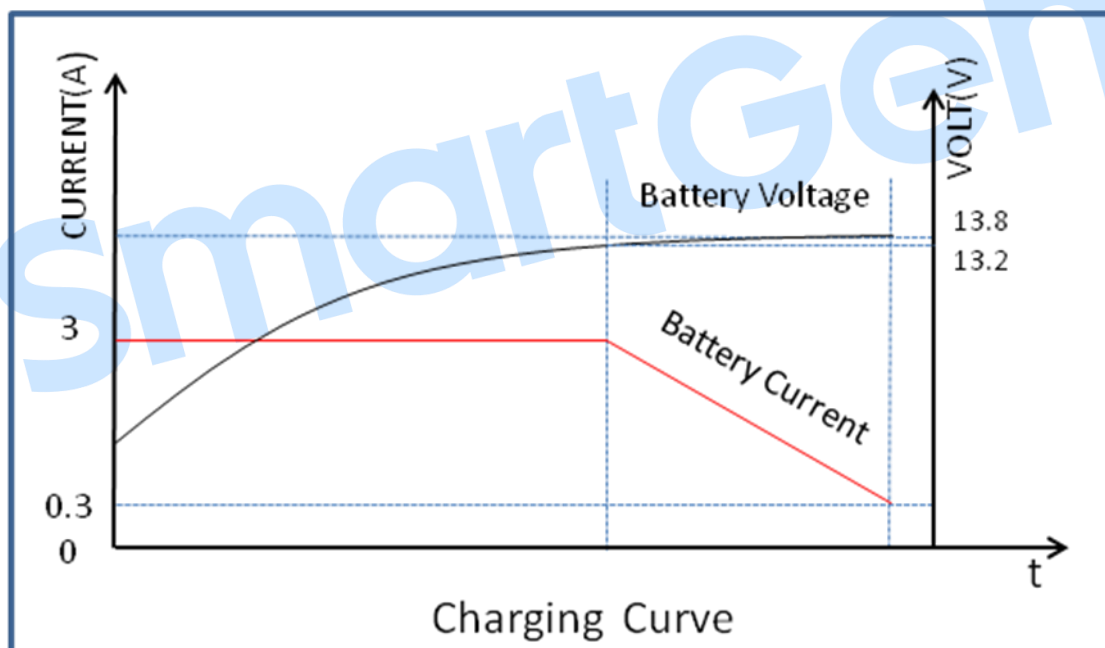


Fig.1- Charging Principle

Charging is performed according to the battery charging characteristics using two-stage method. Charging type is 'constant current type' which means that when the battery terminal voltage falls below the pre-set value, charging current will be constant; when the battery terminal voltage exceeds the pre-set value, charging current will decrease with the rising of terminal voltage until the pre-set current value is reached; then Chargers automatically return to float mode. As soon as charging voltage value exceeds 13.5V, the battery is basically fully charged. After that charging current will only neutralize the battery self discharge. Even long-term charging cannot harm the battery, as charger can keep the battery fully charged and so guarantee long lifetime of the battery.

4 SPECIFICATION

Table 2 – Parameters Specification

Items	Contents	Parameters
Input Characteristics	Nominal AC Voltage	AC (100~277)V
	Max. AC Voltage	AC (90~305)V
	Max. Input Current	1A
	No-load Power Used	<3W
	AC Frequency	45Hz~65Hz
	Max. Working Efficiency	87%
Output Characteristics	No-load Output Voltage	13.8V (Error±2%)
	Rated Charging Current	3A (Error±5%)
	Max. Output Power	40W
Insulating Property	Insulation Resistance	Between input and output, input and shall both are: AC3kV, and in 1min $R_L \geq 50M\Omega$
	Leakage Current	Between input and output, input and PE both are: AC3kV, and in 1min leakage current: $I_L \leq 3.5mA$
Working Conditions	Working Temperature	(-30~+55)°C
	Storage Temperature	(-40~+85)°C
	Working Humidity	20%RH~93%RH (No condensation)
Shape Structure	Weight	150g
	Dimension	80mm×35.5mm×65mm (length*width*height)

5 OPERATION



Fig.2 - BAC1203VE Panel

Table 3 – Wiring Connection Description

Icon	Function	Description
1	B+	Connect to positive electrode of battery, and recommend using BVR1.5mm ² multi-strand copper wire.
2	B-	Connect to negative electrode of battery, and recommend using BVR1.5mm ² multi-strand copper wire.
3	PE	Terminal connect to the ground
4	AC input terminals	Terminal L and Terminal N connect to AC (100-277) V, and recommend using above BVR1.0 mm ² multi-strand copper wire.
5		
Red Indicator Lamp	Charging indicator	Lamp illuminates while charging.
Green Indicator Lamp	Power indicator	Lamp illuminates while charger is working.

▲ NOTE 1:

During genset is running, charging current will cause voltage drop in charging line, so recommend separately connecting to battery terminal to avoid disturbance on sampling precision.

SmartGen

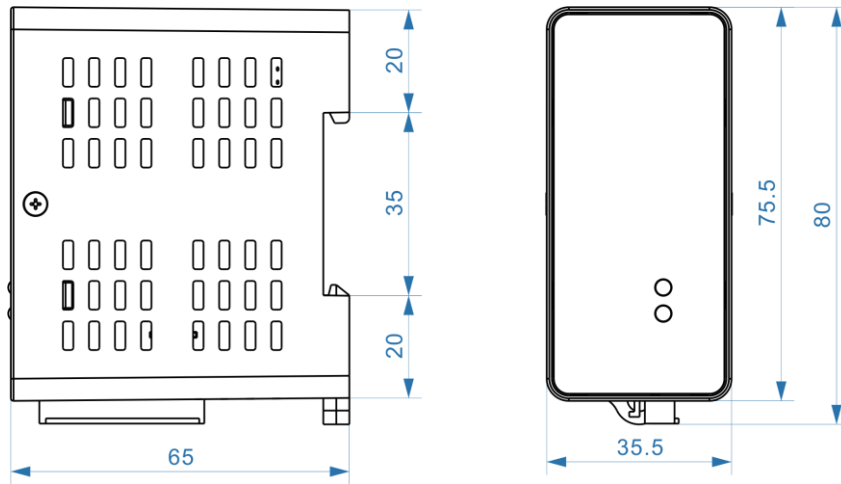


Fig.3 – BAC1203VE Guide-rail Installation

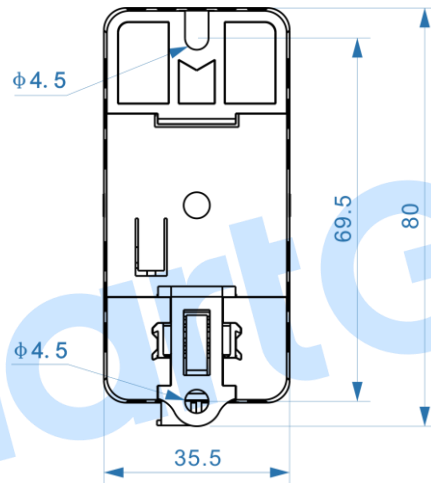


Fig.4 – BAC1203VE Screw Fixed Installation

7 APPENDIX: PACKING LIST

Table 4 – Packing List

No.	Name	Quantity	Remark
1	BAC1203VE battery charger	1	
2	Dupont plug	1	
3	Pin	5	
4	Installation instruction	1	

SmartGen