

Smartgen[®]

SG72 Communication modules
USER MANUAL



Smartgen electrics

Smartgen®

Smartgen Electronic Equipment Co.,Ltd

No.12 Dongqing Street

Zhengzhou

Henan Province

P.R.China

Tel : (0086)-371-67992951 67991572

Fax: (0086)-371-67992952

Web: <http://www.smartgen.com.cn>

<http://www.smartgen.cn>

Email: smartgen@smartgen.com.cn

All rights reserved. No part of this publication may be reproduced in any material form (including photocopying or storing in any medium by electronic means or other) without the written permission of the copyright holder.

Applications for the copyright holder's written permission to reproduce any part of this publication should be addressed to Smartgen Electronics at the address above.

Any reference to trademarked product names used within this publication is owned by their respective companies.

Smartgen Electronics reserves the right to change the contents of this document without prior notice.

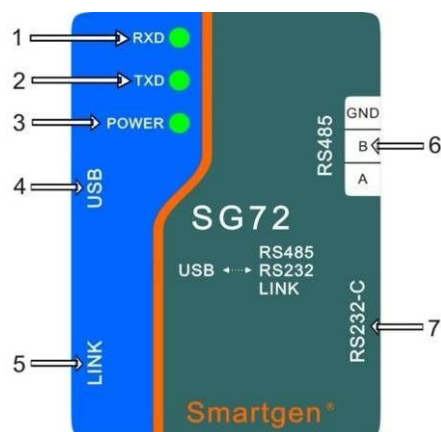
Version history

June 18 2008	v1.0	Origin release
February 19 2009	v2.0	Upgrade Release

GENERAL

SG72 module is a communication port conversion module of USB<->RS232, USB <-> RS485, USB<->LINK (Smartgen special). It's power is supplied by USB on PC (the personal computer).

LED AND INTERFACE



- 1、 **RXD LED**: When PC(personal computer) receives data, this light will flash.
- 2、 **TXD LED**: When PC sends out data, this light will flash.
- 3、 **POWER LED**: When the **SG72 module** successfully connect to USB, this light will be illuminated.
- 4、 **USB interface**: Connect **SG72 module** to the USB interface on PC by the data line from **smartgen**.
- 5、 **LINK interface**: This is a specific interface and is use to connected with the part of product made in **Smartgen**.
- 6、 **RS485**: This is a generic isolation RS485 communication interface.
- 7、 **RS232-C**: This is a generic DB9 serial communication interface.

DRIVER INSTALLATION ON PC

Note:

- ☞ **SG72 module** only suit to Microsoft's Windows 2000 and Windows XP operating system.

The installation steps are shown as following:

- 1、 Find out the driver file that is provided **by Smartgen**, the file name is **“SG72 module driver.rar”**, and decompressing this files to specific driver target path (i.e.

d:\SG72 module driver).

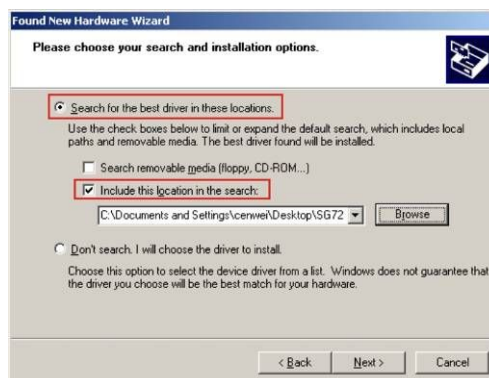
- 2、 Connect USB on PC with USB on **SG72 module** by the data line that is provided by **Smartgen**.
- 3、 Now the computer will hints to find out new hardware. The following window will show, select “No, not this time”, then click “Next>”.



- 4、 Select “Install from a list or specific location (Advanced)”, then click “Next>”.



- 5、 Select "Search for the best driver in this location" and "Include this location in the search", then click “Browse”.



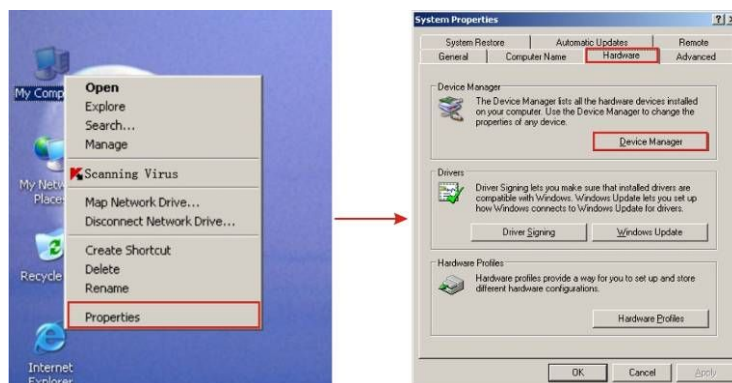
- 6、 Find out the driver location, click “**SG72 module driver**”, and click “OK”, then click “Next>” on the above window. After a moment, click “finished”.



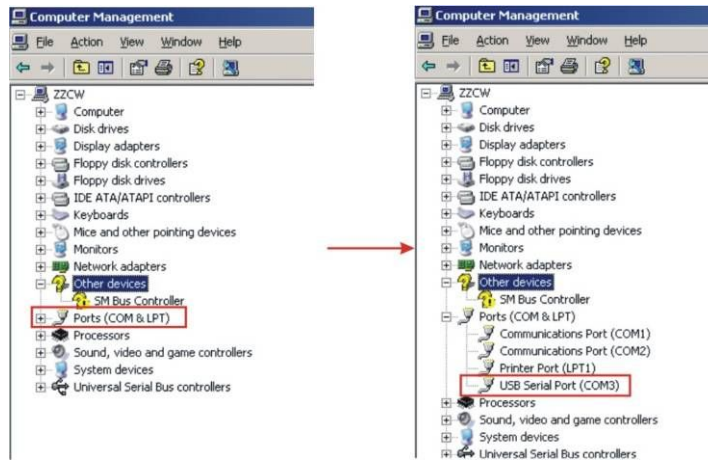
- 7、 The below window will appear again, according to the above steps 3~6 to do again.



- 8、 Open the equipments management of computer. Steps:
Right click by mouse, select “Properties” ⇒ “hardware” ⇒ “Device Manager”.



- 9、 Click “+” before the “Ports (COM & LPT)”, and you will find out “USB serial port (COMx)” (x is a digit from 1 to 16). Now disconnect the USB data line that connect PC with **SG72 module**, the “USB serial port (COM[x])” will disappear, again connect the **SG72 module** with PC, the “USB serial port (COM[x])” will appear again, please don’t forget the “x” in COM[x].



10、 SG72 module driver installation was successful.

Communication settings (example for HGM6310 test software)

Connect with the HGM6310 controller with computer by SG72 module via RS485, open the HGM6300 test software, according the following setting, select the COM port on HGM6310/6320 is same as “USB Serial Port” on Computer Management.

